

DISPLAY | Multidecks

DISPLAY ► WALL SITE MULTIDECK

MC 100

CUSTOMIZATION AVAILABLE
PERSONALIZZAZIONE DISPONIBILE

MADE IN ITALY

GAS **R290** | M2 | -1°C / +7°C | ENERGY CLASS **C** | 3 | +25°C/60RH

LED | [Icon: Water Droplets] | [Icon: Fan]

DETAILS

- Glass shelves
- Nightblind (Fabric - Grey color)
- Glass or plexiglas product stopper
- Stainless Steel basket
- Cans holder
- Rear door for loading
- Internal RAL custom finish
- External laminates claddings



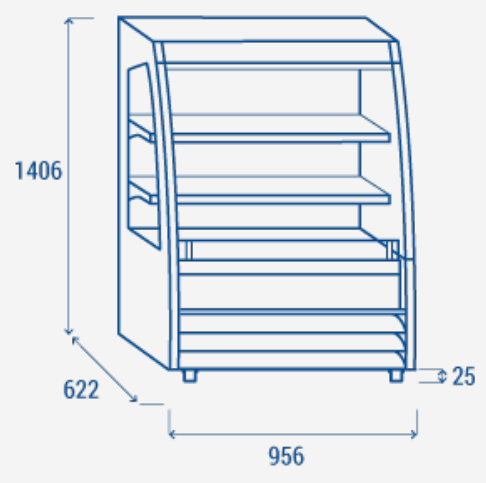
GENERAL FEATURES

- Wall showcase without doors (Width: 960mm)
- White coated steel for internal and external side
- Ventilated Cooling
- Automatic compressor cycle defrost
- Digital display control with ON-OFF switch built-in
- Interior LED light (with independent switch)
- LED lights on the shelf
- Adjustable glass shelves (N.2 Pcs)
- Panoramic ends providing the maximum visibility of the goods
- Nightblind for an optimal energy conservation during nights (Fabric - Grey color)
- White front panel and Antracite grey bumper
- N.4 Adjustable feet
- Energy efficiency class: C
- Blind ends (Optional)
- Available in two depths: STANDARD or SLIM

TECHNICAL SPECIFICATIONS

Capacity	265 L
Temperature	M2 (-1°C-+7°C)
Consumption	6.1 kWh/24h
Rated Power	769 W
Noise level	70 dB(A)
Net Weight	140 Kg
Gross Weight	190 Kg
External Dimensions (WxDxH mm)	960x622x1406
Internal Dimensions (WxDxH mm)	896x335x760
Packaging dimensions (WxDxH mm)	1070x790x1550
Loading quantities 20'/40'/40'HQ	14/28/28

PRODUCT DIMENSIONS



CERTIFICATION

CE [Icon: RoHS] RoHS

